

HD **ANALOG**

QUICK START GUIDE

HD-TVI / CVI / AHD / CVBS

Contents

1. INTRODUCTION	2
2. SAFETY INSTRUCTIONS	2
3. INSTALLATION	4
3.1 INSTALLATION OF BULLET CAMERAS.....	4
3.2 INSTALLATION OF MINI DOME CAMERAS.....	6
3.3 INSTALLATION OF VANDAL-PROOF DOME CAMERAS	10
3.4 INSTALLATION OF INDOOR DOME CAMERAS	14
4. CONNECTING CABLES	19

1. Introduction

Thanks for purchasing our product. For any question or need, we welcome you to contact us at any time. We will make every effort to ensure correctness of the information contained in this manual, which may be subject to change from time to time without prior notice.

2. Safety Instructions

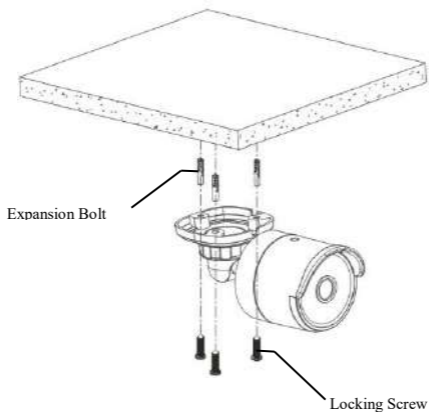
- 1) Please comply with the power supply specifications as required for this equipment and select the correct power supply.
- 2) In case that the equipment fails to operate properly, immediately contact the manufacturer or the nearest service center, instead of disassembling or changing it in any way on your own.
- 3) For cleaning of the lens, be sure to use an air blower or dedicated lens cleaner. For cleaning of the plastic shield, use a soft and dry cloth to wipe it. Do not use any detergent containing alcohol or benzene.
- 4) Do not drop any object onto the device or knock heavily on the equipment.
- 5) Do not put the camera toward any strong light source (or lighting lamp or sun), which may cause over-exposure or light leakage (not due to defect of the product) and impair useful life of the camera.
- 6) Avoid use of the equipment in any environment other than suggested in this manual.
- 7) Prevent water or any other liquid from flowing into the equipment.
- 8) For replacement of any part, contact the distributor in advance and replace it with a new one, or similar components which have the same specification. Changing any part in the device without authorization is not permitted.

Operating Environment	
Power Supply	DC12V \pm 10%
Temperature	-30℃~60℃
Humidity	10%~95%
Altitude	-60m~3000m
Atmosphere	86kpa~106kpa

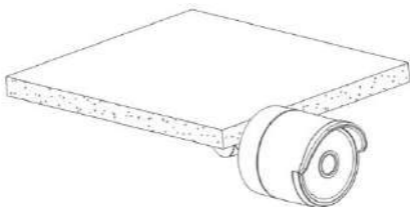
3. Installation

3.1 Installation of Bullet Cameras

a. Ceiling Mounting

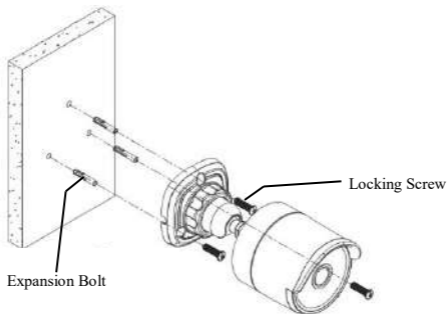


Insert three expansion bolts in place into the ceiling and fix the equipment with three locking screws.

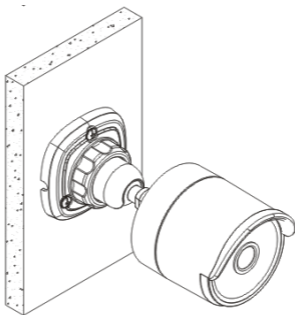


Completion of Installation

b. Wall Mounting



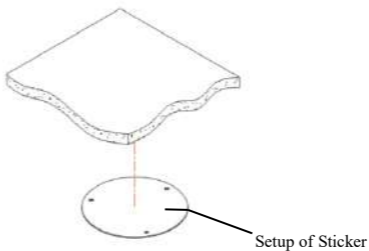
Insert three expansion bolts in place into the wall and fix the equipment with three locking screws.



Completion of Installation

3.2 Installation of Mini Dome Cameras

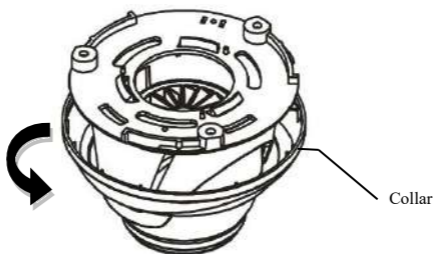
Ceiling Mounting



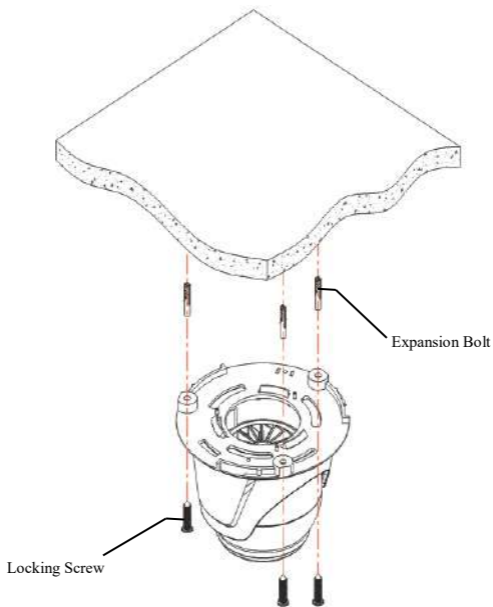
Paste the sticker in place at the proper position as selected.



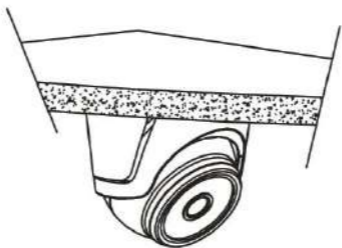
Mini Dome Camera



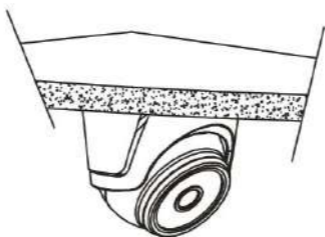
Remove the collar off the camera by rotating it down



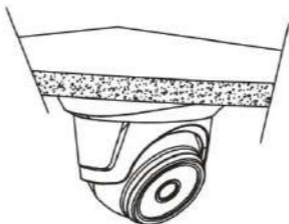
Fix the pedestal by drilling locking holes around the sticker and inserting three expansion bolts into the holes and fastening it with three locking screws.



Adjust it to an appropriate angle.



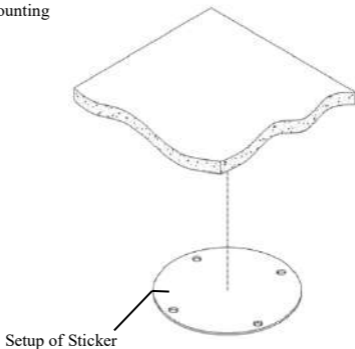
Mount the collar back by rotating it up



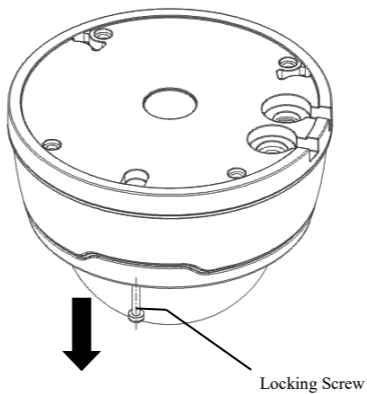
Completion of Installation

3.3 Installation of Vandal-Proof Dome Cameras

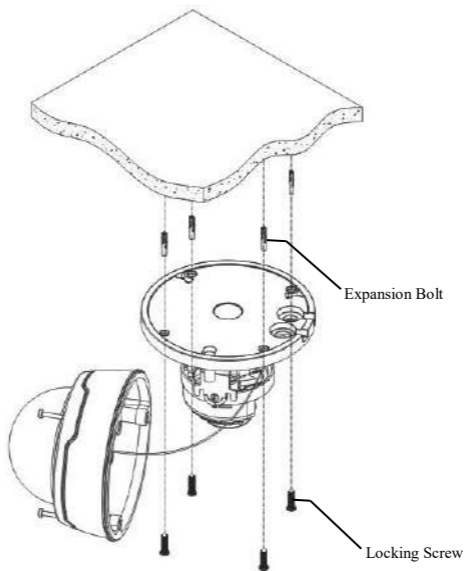
Ceiling Mounting



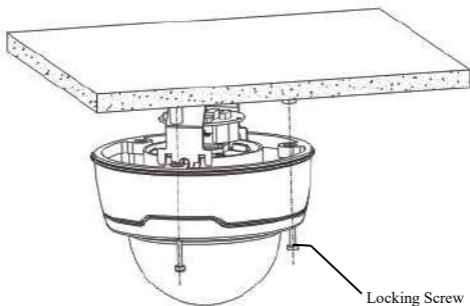
Paste the sticker in place at the proper position as selected.



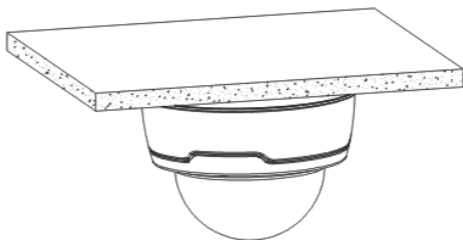
Remove the front component by loosening the three locking screws with a screwdriver.



Fix the pedestal by drilling locking holes around the sticker and inserting four expansion bolts into the holes and fastening it with four locking screws. Adjust it to an appropriate angle.



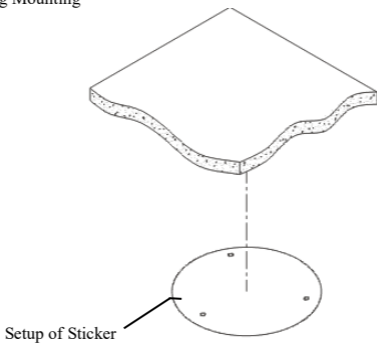
Fix the front component on the pedestal by tightening the three locking screws.



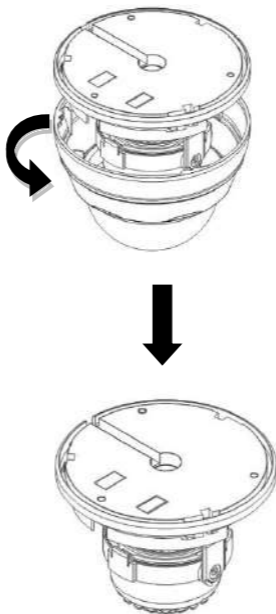
Completion of Installation

3.4 Installation of Indoor Dome Cameras

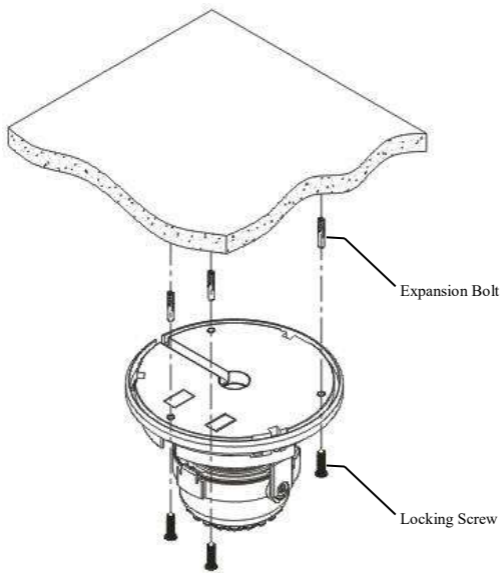
Ceiling Mounting



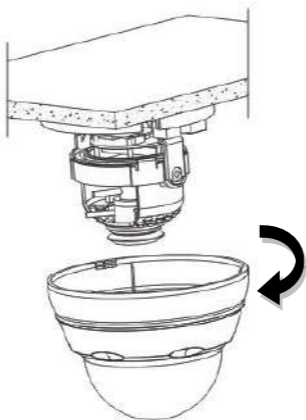
Paste the sticker in place at the proper position as selected.



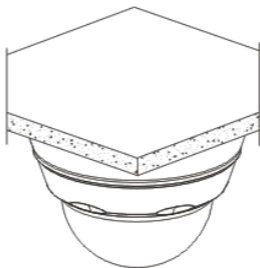
Remove the shield off the camera by rotating the collar down



Fix the base by drilling locking holes around the sticker and inserting three expansion bolts into the holes and fastening it with three locking screws. Adjust it to an appropriate angle.

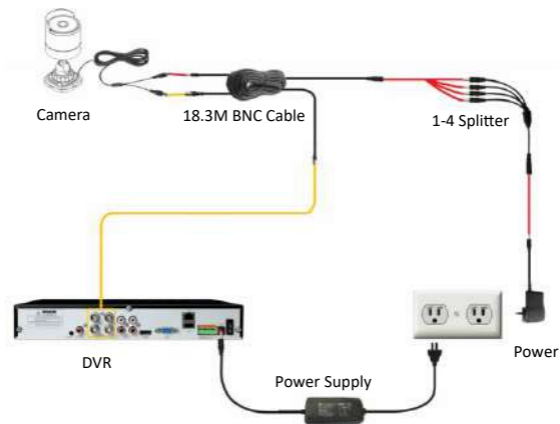


After angle adjustment, mount the shield back by rotating the collar up.



Completion of Installation

4. Connecting cables



CAUTION

RISK OF EXPLOSION IF BATTERY IS REPLACED BY AN INCORRECT TYPE

DISPOSE OF USED BATTERIES ACCORDING TO THE INSTRUCTIONS